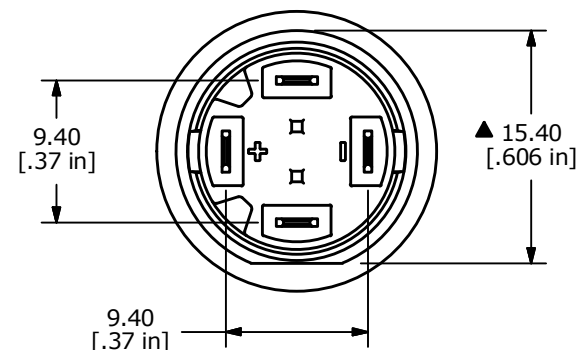
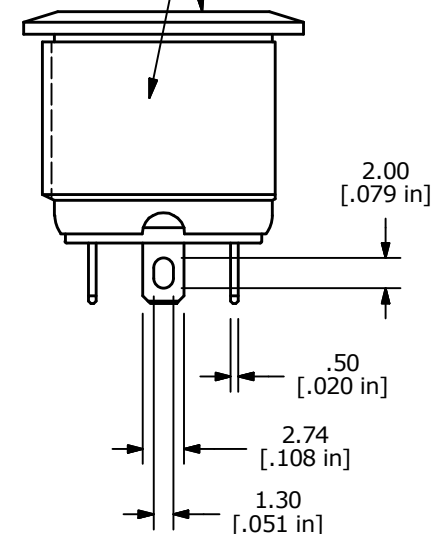
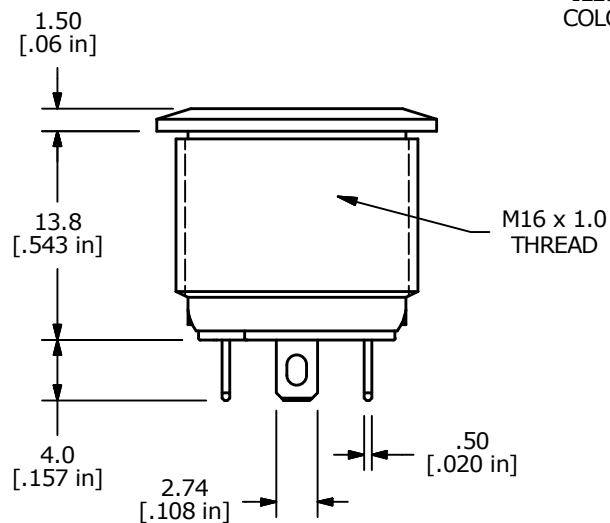


▲ HOUSING AND  
BUTTON FINISH:  
STAINLESS STEEL



- NOTE:
1. ALL DIMENSIONS IN MM [INCH]
  2. GENERAL TOLERANCE: X.X = ±0.4  
X.XX = ±0.25
  3. TERMINAL NUMBERS FOR REF ONLY
  4. CONTACT MATERIAL: SILVER PLATED
  5. RATING: 2A 36VDC
  6. ELECTRIC LIFE: 200,000
  7. INSULATION RESISTANCE: 1,000MΩ MIN @ 500VDC.
  8. DIELECTRIC STRENGTH: 2,000VAC MIN. FOR 1 MINUTE
  9. CONTACT RESISTANCE: 50mΩ MAX. @ 1A 12VDC
  10. OPERATING TEMP.: -20°C to 70°C
  11. TRAVEL: 2.0mm
  12. ▲ DENOTES CRITICAL PARAMETER.
  13. ILLUMINATION COLOR: GREEN
  14. HARDWARE SUPPLIED: O-RING AND HEXNUT (NOT SHOWN)
  - ▲ 15. ILLUMINATION VOLTAGE RATING: 2.8 - 3.7V @ 20 mA
  16. INGRESS PROTECTION: IP67



C	23587	UPDATED FINISH TO STAINLESS STEEL	10/3/18	MJR
B	22631	update Note 15	12/21/16	MW
REV	PCR NO	DESCRIPTION	DATE	BY

TITLE PVA6FP24S31				
SCALE	DATE	DR	DWG	REV
2:1	9/20/2016	rc	T960010	C

THE INFORMATION CONTAINED IN THIS DOCUMENT IS PROPRIETARY TO E-SWITCH AND IS NOT TO BE COPIED OR TRANSFERRED